



PUSH BUTTON BOXES AND TERMINAL BOXES

EN

IRINOX
Inside your needs

PUSH BUTTON BOXES AND TERMINAL BOXES

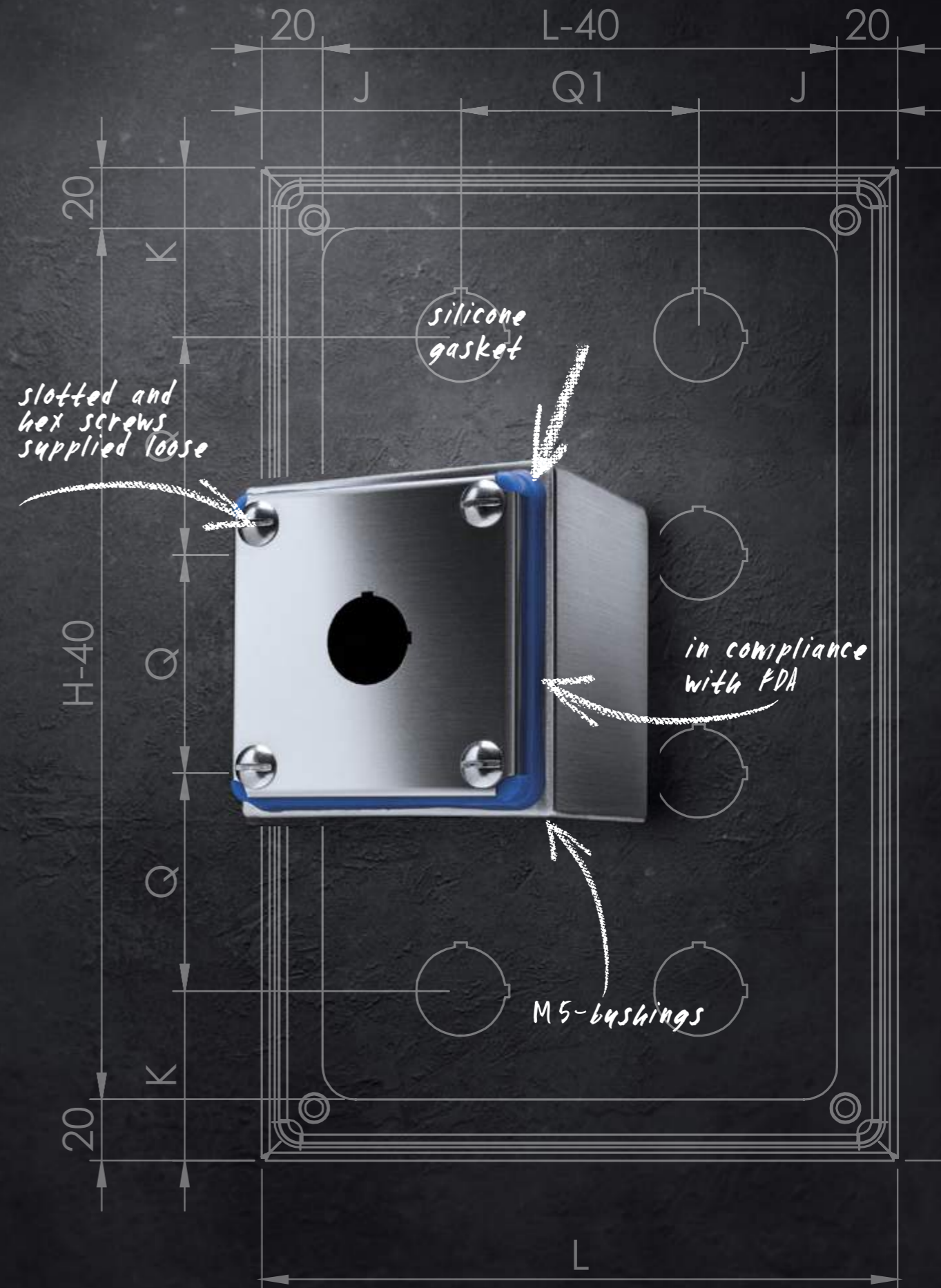
- PUSH BUTTON BOX
- 4 MODEL APH
- TERMINAL BOX
- 8 MODEL ADH
- 12 ACCESSORIES

TECHNICAL ADVANTAGES

Silicone gasket easily removable for washing or replacement.

Silicone gasket suitable for use in environments where food is handled, in compliance with FDA.

Double function M5 bushings for supporting the internal mounting plate (if present) and for holding fixing brackets or securing directly to the machine.



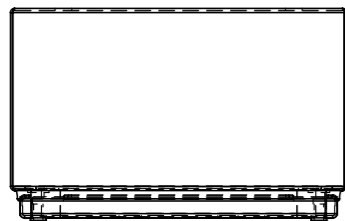
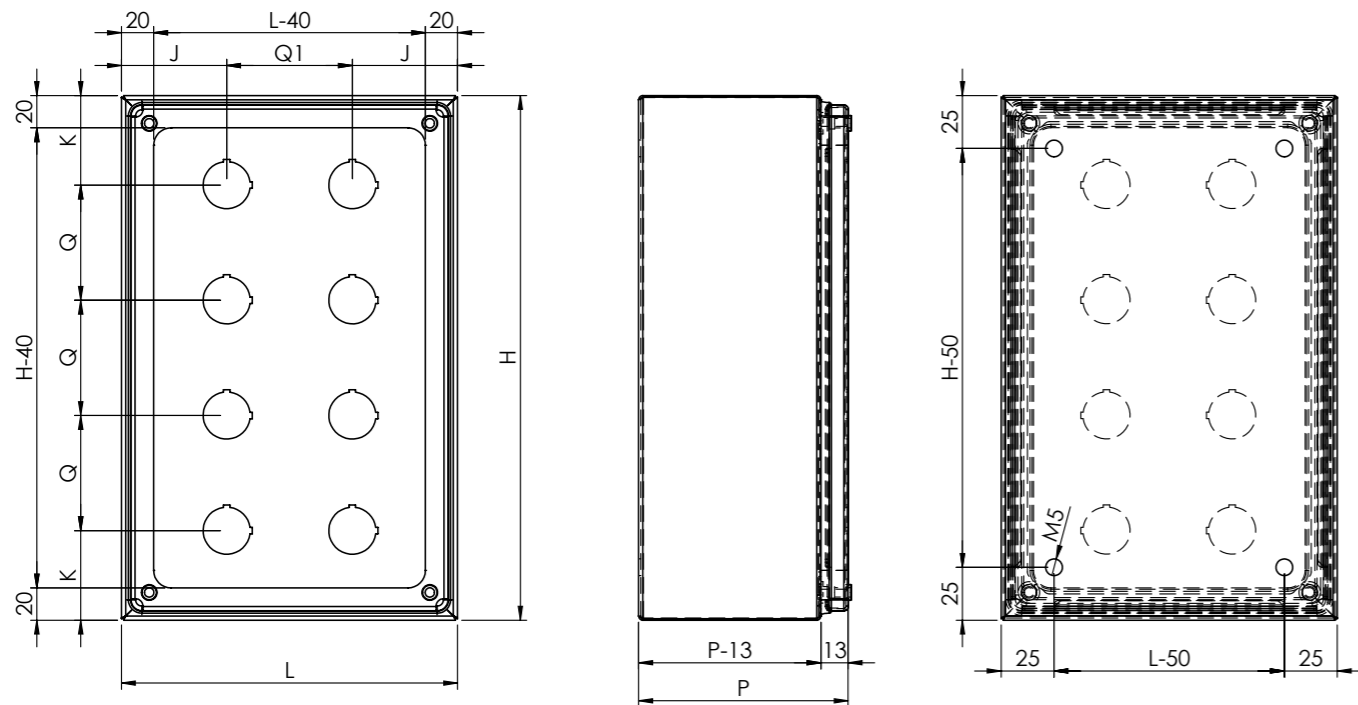


PUSH BUTTON BOX MODEL APH

Hygienic push button box in AISI 304 (Wnr 1.4301) stainless steel. The special profile designed to facilitate cleaning makes it ideal for use where high standards of hygiene are required.

Screwed cover with "clip-in" silicone gasket, UL certified and in compliance with FDA, pre-drilled with $\varnothing 22,5$ mm holes (0.89").

Without internal mounting plate. Protection rating IP 66. On request IP 69K.



L = W (width)
H = H (height)
P = D (depth)

TECHNICAL DATA

Door drill size W - 40 mm (1.57") H - 40 mm (1.57")

Usable depth D - 15 mm (0.59")

Centre to centre distance H - 30 mm (1.18") for models

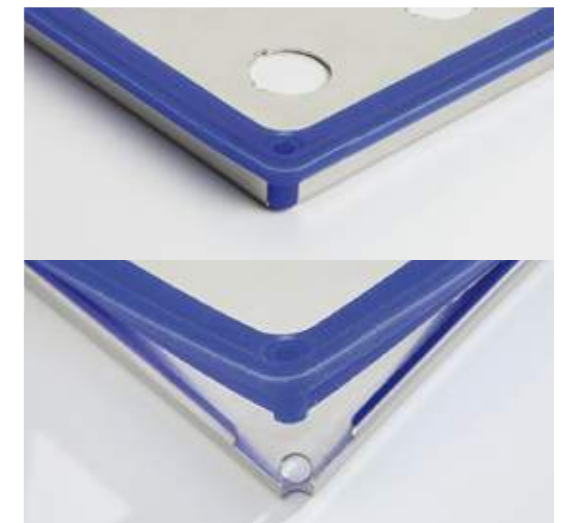
between fixing holes M5 APH 9 9 / 9 14 / 9 20 / 9 28
H - 50 mm (1.97") for all other models



PUSH BUTTON BOX
MODEL APH

REMOVABLE SILICONE GASKET,
IN COMPLIANCE WITH FDA.

COVER HOLES $\varnothing 22,5$ MM (0.89").



TECHNICAL DESCRIPTION

Type of steel: AISI 304 (Wnr 1.4301) Scotch-brite

Thickness: 1 mm (0.04")

Back fixing: M5 bushings

Gasket: silicone

Cover fixing: 4 screws*

Internal mounting plate: not included

Cover: drilled

Holes: $\varnothing 22,5$ mm (0.89")

* Comes as standard with 4 hex screws + 4 slotted screws supplied loose

CUSTOMIZATION POSSIBILITIES

Dimensions: adaptable on request*

Thickness: adaptable on request*

Material: AISI 316L (Wnr 1.4404)

Finishes: SN Coarse brushed - BA Polished*

Back fixing: studs

Sides: all 4 sides are also available sloped

* Check when placing order

ON REQUEST

FeZn or stainless steel internal mounting plate



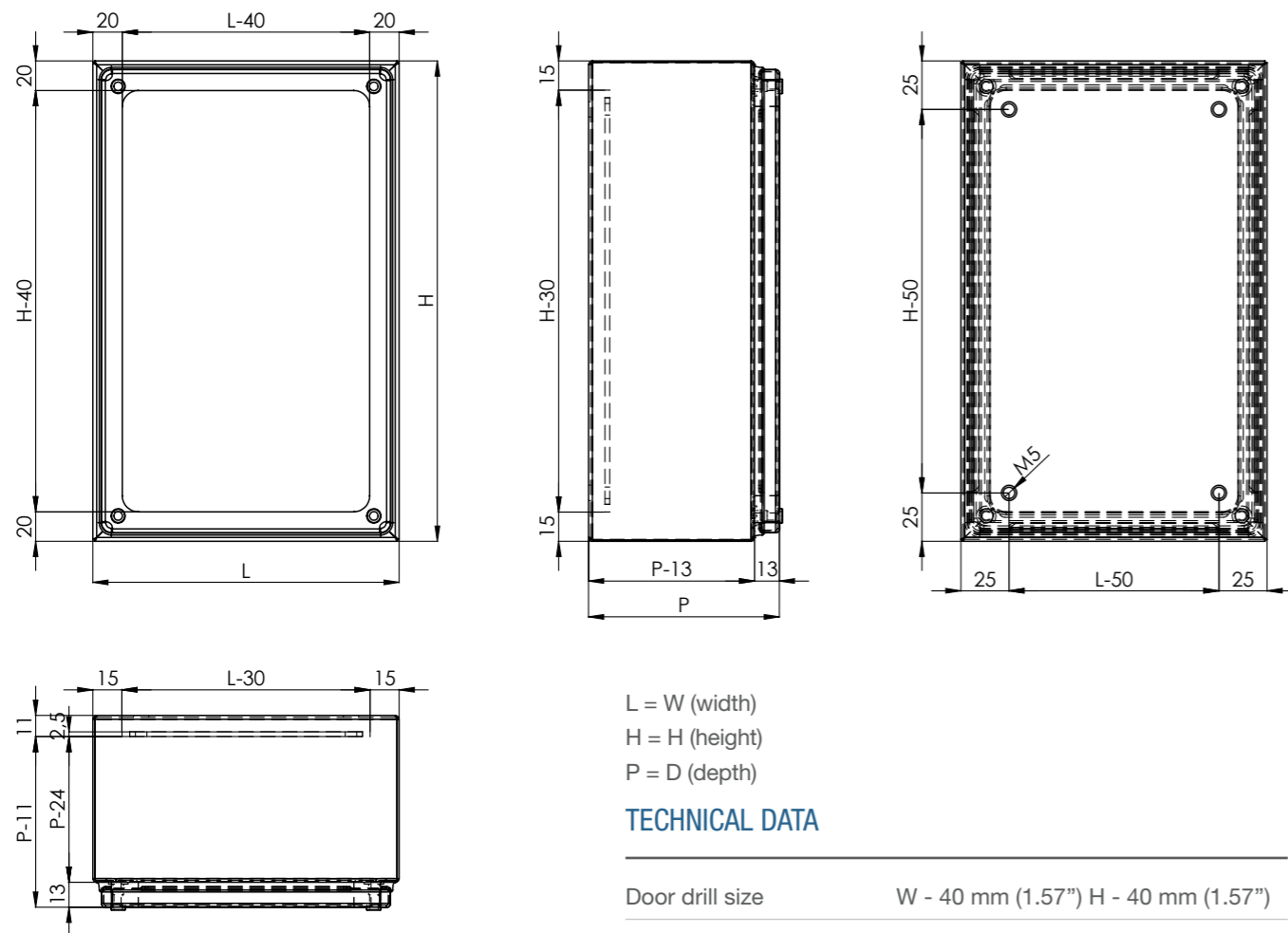
PUSH BUTTON BOX **MODEL APH**

Model	Code	External dimensions						Kg	m³	J	Q/Q1	K	No. holes per row	Centre to centre distance between rear bushings				No. bushings	No. closing points	Door drill size				Usable depth		Certification					In stock*	Model		
		W		H		D								W		H				W		H		D		Certification								
		mm	in.	mm	in.	mm	in.							mm	in.	mm	in.			mm	in.	mm	in.	mm	in.	mm	in.	IP 66 IK 08	UL type 1,12,4,4x	IP 69K			FDA	EX 3D 3G
		mm	in.	mm	in.	mm	in.							mm	in.	mm	in.			mm	in.	mm	in.	mm	in.	mm	in.							
APH 9 9	013015010	90	3.54	90	3.54	90	3.54	0.53	0.001	45	X	45	1			60	2.36	2	4	50	1.97	50	1.97	75	2.95	x	x	on request	x	on request	YES	APH 9 9		
APH 9 14	013015020	90	3.54	140	5.51	90	3.54	0.69	0.002	45	55	42.5	2		110	4.33	2	4	50	1.97	100	3.94	75	2.95	x	x	on request	x	on request	YES	APH 9 14			
APH 9 20	013015030	90	3.54	200	7.87	90	3.54	0.87	0.002	45	55	42.5	3		170	6.69	2	4	50	1.97	160	6.30	75	2.95	x	x	on request	x	on request	YES	APH 9 20			
APH 9 28	013015040	90	3.54	280	11.02	90	3.54	1.13	0.003	45	60	50	4		250	9.84	2	4	50	1.97	240	9.45	75	2.95	x	x	on request	x	on request	YES	APH 9 28			
APH 16 16	013015050	160	6.30	160	6.30	100	3.94	1.14	0.004	50	60	50	2x2	110	4.33	110	4.33	4	4	120	4.72	120	4.72	85	3.35	x	x	on request	x	on request	YES	APH 16 16		
APH 16 25	013015070	160	6.30	250	9.84	100	3.94	1.51	0.006	50	60	35	4x2	110	4.33	200	7.87	4	4	120	4.72	210	8.27	85	3.35	x	x	on request	x	on request	YES	APH 16 25		
APH 20 20	013015080	200	7.87	200	7.87	100	3.94	1.52	0.006	70	60	40	3x2	150	5.91	150	5.91	4	4	160	6.30	160	6.30	85	3.35	x	x	on request	x	on request	YES	APH 20 20		

* Stock availability may vary according to existing orders at the time of request

TERMINAL BOX MODEL ADH

Hygienic terminal box in AISI 304 (Wnr 1.4301) stainless steel. The special profile designed to facilitate cleaning makes it ideal for use where high standards of hygiene are required. Solid screwed cover complete with "clip-in" silicone gasket, UL certified and in compliance with FDA. FeZn 25/10 internal mounting plate. Protection rating IP 66. On request IP 69K.



TECHNICAL DATA

Door drill size W - 40 mm (1.57") H - 40 mm (1.57")

Usable depth D - 15 mm (0.59")

Centre to centre distance H - 30 mm (1.18") for models

between fixing holes M5 ADH 9 9 / 9 14 / 9 20 / 9 28
H - 50 mm (1.97") for all other models



TERMINAL BOX MODEL ADH

M5 BUSHINGS FOR FIXING OR SUPPORTING THE INTERNAL MOUNTING PLATE.

REMOVABLE SILICONE GASKET, IN COMPLIANCE WITH FDA.

TECHNICAL DESCRIPTION

Type of steel: AISI 304 (Wnr 1.4301)
Thickness: 1 to 1.2 mm (0.04" to 0.05") according to model dimensions
Back fixing: M5 bushings
Gasket: silicone
Cover fixing: 4 screws*
Internal mounting plate: 25/10 FeZn included
Cover: solid

* Comes as standard with 4 hex screws + 4 slotted screws supplied loose

CUSTOMIZATION POSSIBILITIES

Dimensions: adaptable on request*

Thickness: 1.2 mm (0.05")*

Material: AISI 316L (Wnr 1.4404)

Finishes: SN Coarse brushed - BA Polished*

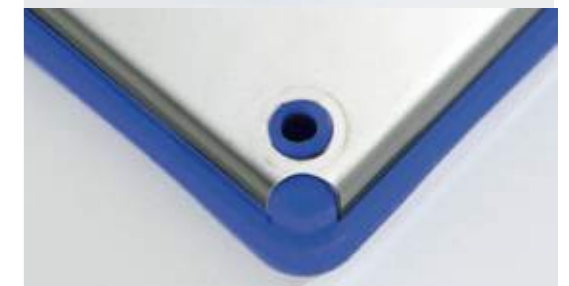
Back fixing: studs

Sides: all 4 sides are also available sloped

* Check when placing order

ON REQUEST

Stainless steel internal mounting plate



TERMINAL BOX **MODEL ADH**

Model	Code	External dimensions						Kg	m ³	Mounting plate dimensions				Centre to centre distance between rear bushings				No. bushing	No. closing points	Door drill size				Working depth		Certification						In stock*	Model
		W		H		D				W		H		W		H				D		IP 66 IK 08	IP 66 IK 07	IP 69K	UL type 1,12,4,4x	FDA	EX 3D 3G						
		mm	in.	mm	in.	mm	in.			mm	in.	mm	in.	mm	in.	mm	in.			mm	in.												
ADH 9 9	013025001	90	3.54	90	3.54	90	3.54	0.54	0.001							60	2.36	2	4	50	1.97	50	1.97	75	2.95	x		on request	x	x	on request	YES	ADH 9 9
ADH 9 14	013025002	90	3.54	140	5.51	90	3.54	0.70	0.002						110	4.33	2	4	50	1.97	100	3.94	75	2.95	x		on request	x	x	on request	YES	ADH 9 14	
ADH 9 20	013025003	90	3.54	200	7.87	90	3.54	0.88	0.002						170	6.69	2	4	50	1.97	160	6.30	75	2.95	x		on request	x	x	on request	YES	ADH 9 20	
ADH 9 28	013025004	90	3.54	280	11.02	90	3.54	1.15	0.003						250	9.84	2	4	50	1.97	240	9.45	75	2.95	x		on request	x	x	on request	YES	ADH 9 28	
ADH 10 10	013025010	100	3.94	100	3.94	100	3.94	0.74	0.003	70	2.76	85	3.35		70	2.76	2	4	60	2.36	60	2.36	85	3.35	x		on request	x	x	on request	YES	ADH 10 10	
ADH 10 16	013025020	100	3.94	160	6.30	100	3.94	1.03	0.003	70	2.76	145	5.71		130	5.12	2	4	60	2.36	120	4.72	85	3.35	x		on request	x	x	on request	YES	ADH 10 16	
ADH 10 20	013025030	100	3.94	200	7.87	100	3.94	1.23	0.003	70	2.76	185	7.28		170	6.69	2	4	60	2.36	160	6.30	85	3.35	x		on request	x	x	on request	YES	ADH 10 20	
ADH 16 16	013025040	160	6.30	160	6.30	100	3.94	1.48	0.004	130	5.12	130	5.12	110	4.33	110	4.33	4	4	120	4.72	120	4.72	85	3.35	x		on request	x	x	on request	YES	ADH 16 16
ADH 16 25	013025050	160	6.30	250	9.84	100	3.94	2.10	0.006	130	5.12	220	8.66	110	4.33	200	7.87	4	4	120	4.72	210	8.27	85	3.35	x		on request	x	x	on request	YES	ADH 16 25
ADH 20 20	013025060	200	7.87	200	7.87	100	3.94	2.12	0.006	170	6.69	170	6.69	150	5.91	150	5.91	4	4	160	6.30	160	6.30	85	3.35	x		on request	x	x	on request	YES	ADH 20 20
ADH 20 25	013025070	200	7.87	250	9.84	120	4.72	2.82	0.009	170	6.69	220	8.66	150	5.91	200	7.87	4	4	160	6.30	210	8.27	105	4.13	x		on request	x	x	on request	YES	ADH 20 25
ADH 20 30	013025080	200	7.87	300	11.81	120	4.72	3.24	0.011	170	6.69	270	10.63	150	5.91	250	9.84	4	4	160	6.30	260	10.24	105	4.13	x		on request	x	x	on request	YES	ADH 20 30
ADH 20 40	013025090	200	7.87	400	15.75	120	4.72	4.20	0.016	170	6.69	370	14.57	150	5.91	350	13.78	4	4	160	6.30	360	14.17	105	4.13		x			x		YES	ADH 20 40
ADH 30 30	013025100	300	11.81	300	11.81	120	4.72	4.70	0.017	270	10.63	270	10.63	250	9.84	250	9.84	4	4	260	10.24	260	10.24	105	4.13	x		on request	x	x	on request	YES	ADH 30 30
ADH 30 40	013025110	300	11.81	400	15.75	120	4.72	6.03	0.023	270	10.63	370	14.57	250	9.84	350	13.78	4	4	260	10.24	360	14.17	105	4.13		x			x		YES	ADH 30 40

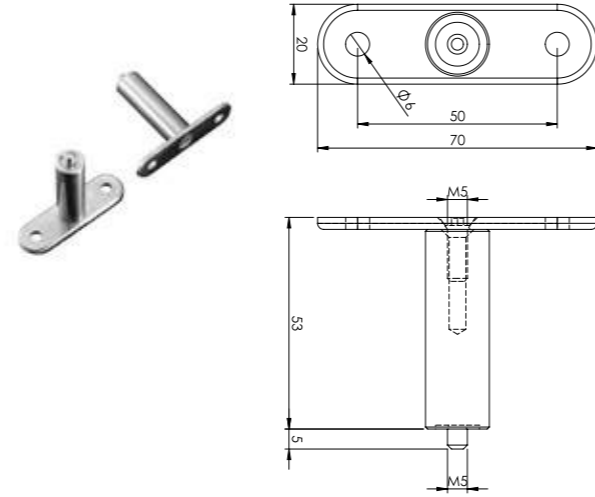
* Stock availability may vary according to existing orders at the time of request

A wide range of accessories is available to complete each standard or bespoke model so that all specific needs are met. Some accessories require special machining and their application may change the IP protection rating or influence on certifications. Please specify them when placing an order/enquiry.

BRACKETS

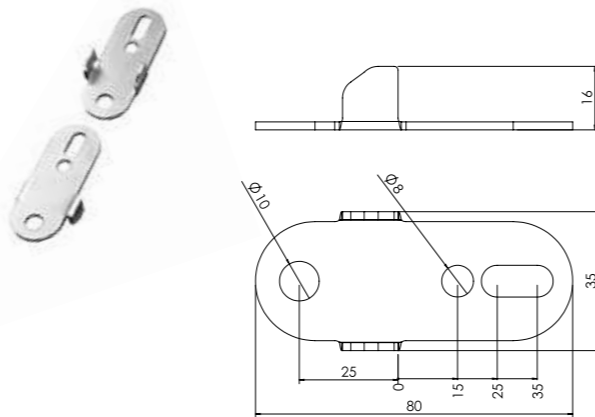
HYGIENIC WALL SPACERS

Code	Description	APH	ADH
013702282	Hygienic spacers in AISI 304 stainless steel (Wnr 1.4301), for M5 screws. Set of 2 Hygienic wall spacers.	•	•



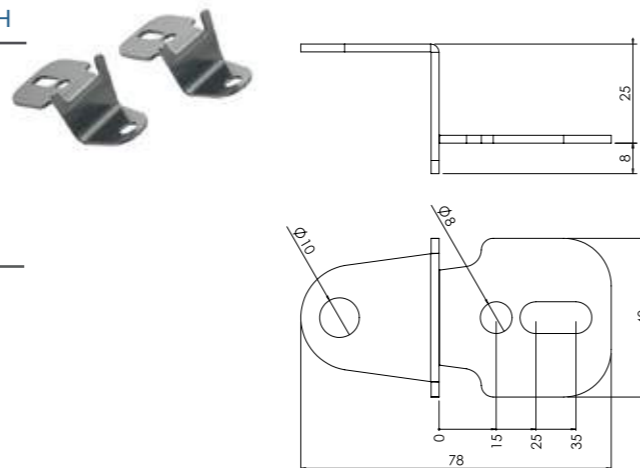
FLAT WALL BRACKETS

Code	Description	APH	ADH
013702300	Brackets in AISI 304 stainless steel (Wnr 1.4301) to be screwed onto the bushings on the back of the enclosure. Complete with fixing screws. Set of 4 flat brackets.	•	•



RAISED WALL BRACKETS

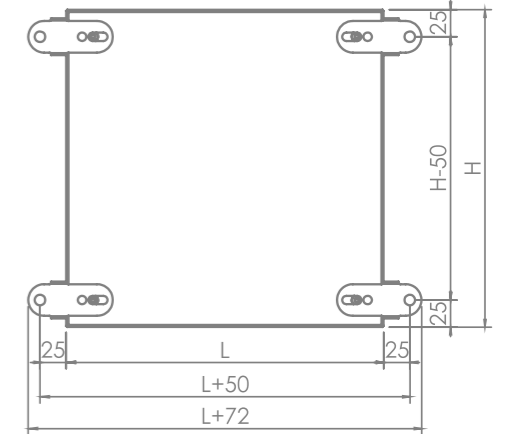
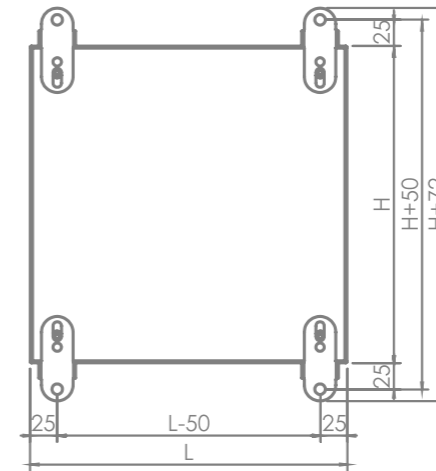
Code	Description	APH	ADH
013702301	Raised wall brackets H=25 mm (0.98") in AISI 304 stainless steel (Wnr 1.4301), to be screwed onto the bushings on the back of the boxes. Complete with fixing screws. Set of 4 raised wall brackets.	•	•



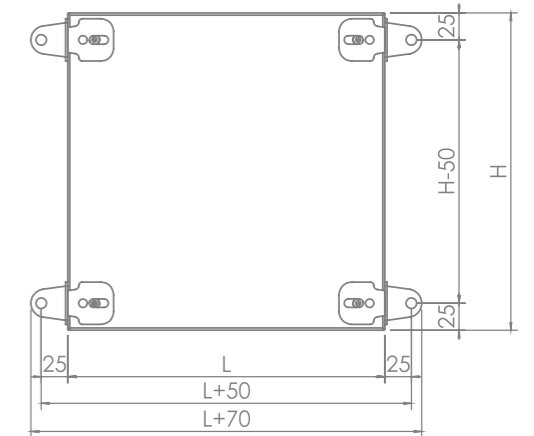
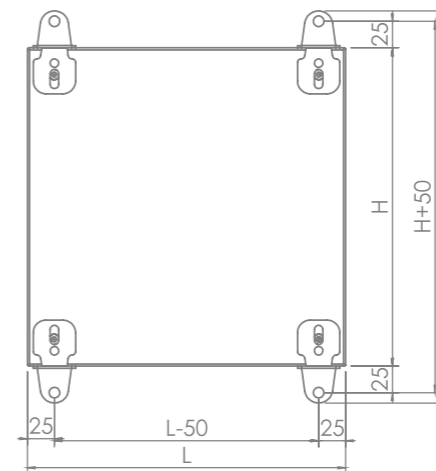
Always specify accessories when placing an order/enquiry.

Application of the brackets to the enclosure

Application of the **FLAT** wall brackets to the enclosure



Application of the **RAISED** wall brackets to the enclosure



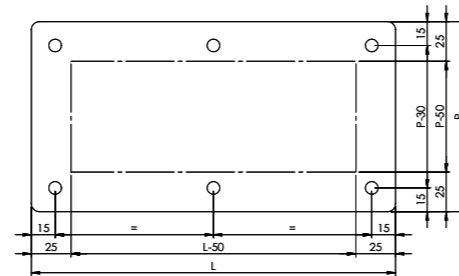
Always specify accessories when placing an order/enquiry.

CABLE GLAND PLATES

CABLE GLAND PLATES

Code	Description	APH	ADH
Special accessory to specify when placing an order/enquiry	Flat plate in AISI 304 stainless steel (Wnr 1.4301) ,complete with gasket and fixing screws, suitable for application with cable glands.	•	•

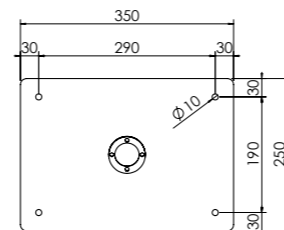
* With the cable gland plate the box is not in compliance with FDA.



PEDESTALS

PEDESTAL - MODEL PD 3210

Code	Description	APH	ADH
013712050 Special accessory to specify when placing an order/enquiry	Pedestal for push button boxes and terminal boxes, comprising a 5 mm (0.20") base prepared for securing to the floor, and a Ø 60 mm (2.36") tubular profile prepared for fixing.	•	•



Always specify accessories when placing and order/enquiry.

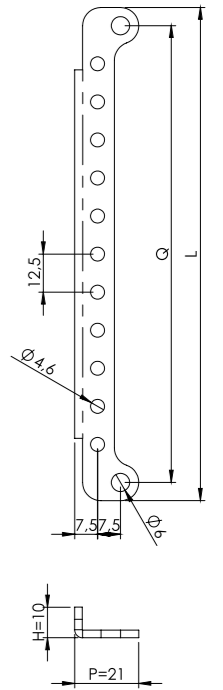
OTHER ACCESSORIES

SUPPORT FOR DIN RAIL

Pre-drilled support with Ø 4.6 mm (0.18"), suitable for the DIN rail fastening inside the push button boxes and terminal boxes. 2 pieces kit.

Code	Model	External dimensions				Q	APH	ADH		
		W		H					D	
		mm	in.	mm	in.	mm	in.			
013702320	SUPPORT FOR DIN RAIL MODEL DT 16	122	4.80	10	0.39	21	0.83	110	•	•
013702330	SUPPORT FOR DIN RAIL MODEL DT 20	162	6.38	10	0.39	21	0.83	150	•	•
013702340	SUPPORT FOR DIN RAIL MODEL DT 25	212	8.35	10	0.39	21	0.83	200	•	•
013702350	SUPPORT FOR DIN RAIL MODEL DT 30	262	10.31	10	0.39	21	0.83	250	•	•
013702360	SUPPORT FOR DIN RAIL MODEL DT 40	312	12.28	10	0.39	21	0.83	300	•	•

* Machining/customization of the box is required for fixing the support.



Always specify accessories when placing and order/enquiry.

IRINOX

Inside your needs

IRINOX SPA

Head office

Via Madonna di Loreto, 6/B

31020 Corbanese di Tarzo (TV) - Italy

Tel: +39 0438 5844 - Fax: +39 0438 5843

Business offices and manufacturing facilities

Via Caduti nei Lager, 1

Z.I. Prealpi Trevigiane loc. Scomigo

31015 Conegliano (TV) Italy

Tel: +39 0438 2020 - Fax: +39 0438 2023

www.irinoxquadri.com

Irinox reserves the right to further developments and technical modifications of its products. Such modifications, along with errors and printing errata, shall not constitute grounds for compensation. We refer customers to our Terms of Sale and delivery.
Cod. 448411 / 2015-1 ALL RIGHTS RESERVED