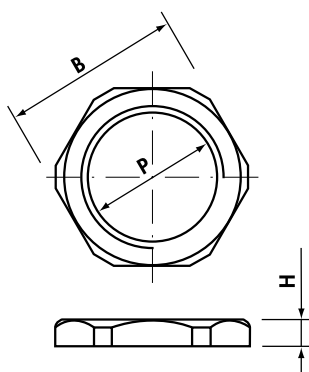


LOCKNUTS WITHOUT COLLAR - POLYAMIDE PA6 OR PA6.6

Metric thread M 1.5 pitch CEI EN 60423

Ref. Light Grey	P	B Spanner (mm)	H (mm)	Quantity Box/Bag
1112	M12X1,5	17	5	1.000/100
1116	M16X1,5	22	5	700/100
1120	M20X1,5	27	6	400/100
1125	M25X1,5	32	6	100
1132	M32X1,5	41	7	150/50
1140	M40X1,5	50	7	30
1150	M50X1,5	60	8	30
1163	M63X1,5	75	8	15

Add to Ref: N for Black

Pg thread DIN 40 430 - Dimensions DIN 46 320

Ref. Light Grey	P	B Spanner (mm)	H (mm)	Quantity Box/Bag
* 1719E17	Pg 7	17	5	1.000/100
1719	Pg 7	19	5	100
1710	Pg 9	22	5	700/100
1711	Pg11	24	5	500/100
1712	Pg13,5	27	6	400/100
1713	Pg16	30	6	100
△*1714E34	Pg21	34	7	200/100
1714	Pg21	36	7	200/100
1715	Pg29	46	7,5	100/50

Add to Ref: N for Black

△ Light Grey only

* Not DIN 46 320

BSP thread ISO 228/1

Ref. Light Grey	P	B Spanner (mm)	H (mm)	Quantity Box/Bag
1410	G1/4"	19	5	800/100
1411	G3/8"	23	6	600/100
1412	G1/2"	27	6	400/100
1413	G5/8"	30	6	100
1414	G3/4"	34	7	200/100
1415	G1"	40	7	50

Add to Ref: N for Black

Technical details:

MATERIAL :

SELF-EXTINGUISHING CLASS :

TEMPERATURE RANGE :

GLOW-WIRE TEST (2 mm) :

RESISTANCE TO CHEMICALS:

(R=Resistant; LR= Low Resistance; NR= Not Resistant)

COLOUR:

POLYAMIDE 6 or 6.6

V2 (UL 94)

-20°C ÷ +90°C (continuous)

-20°C ÷ +120°C ((short period)

850°C (EN 60695-2-1/1:1996 / CEI 89-13)

See Annexe A

RAL 7035 light grey, RAL 9005 black

Cembre SpA

Via Serenissima, 9 - 25135 Brescia (Italy)

Tel.: +39 030 36921 - Fax: +39 030 3365766

Web: www.cembre.com - Email: info@cembre.com

Prepared by: Marketing dept.

Date: 19/07/2012

LOCKNUTS WITHOUT COLLAR - POLYAMIDE PA6 OR PA6.6
Annexe A:

Chemical agent	Level of resistance				Note
	Resistant	Limited resistance	Not resistant	Soluble	
Acetaldehyde					Swelling
Acetylene					
Acetone					
Acetic Acid, 30% solution					
Acetic Acid, 5% solution					
Acrylic Acid					
Butyric Acid, aqueous					
Butyric Acid, concentrated					
Citric Acid					
Hydrochloric Acid					
Hydrochloric Acid, concentrated					
Hydrochloric Acid, 40% solution					
Hydrochloric Acid, 1% aqueous solution					
Formic Acid, 10% acid solution					
Formic Acid, 85% acid solution					
Phosporic Acid, 10% aqueous solution					
Phosporic Acid, 30 % acqueous solution					
Hydriodic Acid					
Lactic Acid					
Nitric Acid, 1% aqueous solution					
Nitric Acid, 50% aqueous solution					
Oleic Acid (commercial)					
Oxalic Acid, 10% acqueous solution					
Perchloric Acid					
Hydrogen Sulfide					
Hydrogen Sulfide, 10% aqueous solution					
Hydrogen Sulfide, 30% aqueous solution					
Hydrogen Sulfide, 96% aqueous solution					Solvent
Sulfurous Acid					
Tartaric Acid					
Trichloro Acetic Acid					
Water					
Sea Water					
Hydrogen Peroxide, 10 % aqueous solution					Oxidising agent
Allyl Alcohol					
Benzyl Alcohol					
Ethyl Alcohol, concentrated					Swelling
Methyl Alcohol					
Propylic Alcohol					Swelling
Alcohols of fatty acid					
Cinnamic Aldehyde					
Furan Aldehyde					
Zinc Halide, aqueous solution					
Liquid Ammonia					
Carbon Dioxide					
Sulfurous Anhydride					

Cembre SpA

Via Serenissima, 9 - 25135 Brescia (Italy)

Tel.: +39 030 36921 - Fax: +39 030 3365766

Web: www.cembre.com - Email: info@cembre.com

Prepared by: Marketing dept.

Date: 19/07/2012

LOCKNUTS WITHOUT COLLAR - POLYAMIDE PA6 OR PA6.6
Annexe A:

Aniline		Yellow			
Nitrogen	Blue				
Photographic fixing bath	Blue				
Ground bacteria (anaerobic)	Blue				
Benzaldehyde			Red		
Benzene	Blue				
Petrol super grade	Blue				
Beer	Blue				
Bitumen	Blue				
Bromine			Red		
Butanol	Blue				
Caprolactam, melted at 75 °C		Yellow			
Potassium Carbonate, saturated solution	Blue				
Zinc Carbonate	Blue				
CFC	Blue				
Ketone	Blue				
Cyclohexane	Blue				
Cyclohexanone	Blue				
Chloral Hydrate				Green	Solvent
Chloramine			Red		
Sodium Chloride, aqueaous solution			Red		Oxidising agent
Chlorobenzene	Blue				
Chloroform		Yellow			
Calcium Chloride, alcohol solution				Green	
Calcium Chloride, aqueous solution	Blue				
Iron Chloride, aqueous acid		Yellow			
Iron Chloride, neutral, aqueous	Blue				
Potassium Chloride, 10% aqueous solution	Blue				
Sodium Chloride, saturated solution	Blue				
Thionyl Chloride			Red		
Vinyl Chloride		Yellow			
Fuel for petrol engine	Blue				
Creosol				Green	Solvent
Dibutyl Phthalate	Blue				
Potassium Dichromate		Yellow			
Diethylene-Glycol		Yellow			
Dimethylamine	Blue				
Dimethylformamide		Yellow		Green	Solvent at high temperature
Dimethyl Sulfoxide		Yellow		Green	Solvent at high temperature
Dioxane	Blue				
Disinfectant with active chlorine			Red		Oxidizing agent
Carbon Disulfide	Blue				
E 6705	Blue				
Heptane	Blue				
Benzene Hexachloride	Blue				
Hexane	Blue				
Ethane	Blue				
Ether	Blue				
Diethyl Ether	Blue				
Ethyl Acetate	Blue				
Ethylene	Blue				

Cembre SpA

Via Serenissima, 9 - 25135 Brescia (Italy)

Tel.: +39 030 36921 - Fax: +39 030 3365766

Web: www.cembre.com - Email: info@cembre.com

Prepared by: Marketing dept.

Date: 19/07/2012

LOCKNUTS WITHOUT COLLAR - POLYAMIDE PA6 OR PA6.6
Annexe A:

Phenol					Solvent
Fertilizers					
Fluorine					
Brazing flux					Contains: Zinc Halide
Formaldehyde, 10% aqueous solution					
Formamide					See: Dimethylformamide
Phosphate					
Phthalates					Plasticiser
Butane gas					
Chlorine gas					Oxidising agent
Inert gases					
Lighting gas					
Diesel fuel for trucks					
Gel					
Glycerine					
Ethylene Glycol					
Ethylene Glycol					
Grease, wax					
Cattle fat					
Hydrogen					
Calcium Hydroxide, aqueous solution					
Potassium Hydroxide, concentrated & in solution					
Ink					Verify colour absorbtion
Calcium Hypochlorite					
Sodium Hypochlorite					Oxidising agent
Isooctane					
Isopropanol (Isopropyl alcohol)					Swelling
Methane					
Mould					
Ammonium Nitrate, saturated solution					
Silver Nitrate, aqueous solution					
Hydraulic oil					Tests must be performed in operating temperature conditions
Lubricating oil					
Mineral oil					
Gearbox oil					
Fuel oil					
Citrus oil					
Camphor oil					
Colza oil (Rape seed oil)					
Linseed oil					
Fish oil					
Turpentine oil					
Motor oil					
Brake fluid					
Ethylene Oxide					

Cembre SpA

Via Serenissima, 9 - 25135 Brescia (Italy)

Tel.: +39 030 36921 - Fax: +39 030 3365766

Web: www.cembre.com - Email: info@cembre.com

Prepared by: Marketing dept.

Date: 19/07/2012

LOCKNUTS WITHOUT COLLAR - POLYAMIDE PA6 OR PA6.6
Annexe A:

Oxygen					At 3 bar
Ozone, 20 ppm					Oxidising agent
Paraffin					
Potassium Perchlorate , 2% aqueous solution					Oxidising agent
Potassium Permanganate, 10% aqueous solution					Oxidising agent
Petroleum					
Natural Petroleum Gas					
Propane					
Cellulose covering					
Blood					
Silicon fluid					
Caustic soda, 10% aqueous solution					
Caustic soda, concentrated aqueous solution					See: Potassium Hydroxide , solution
Soda, aqueous solution					
Soda, saturated solution					
Sodium Trisulfate, solution 200g/l					
Ammonium Sulfate, saturated solution					
Copper Sulfate, saturated solution					
Sodium Sulfide, saturated solution					
Agfa processing solution					
Photographic processing solution					
Sweet solution pH 4.5					
Sweet solution pH 9.5					
Solvent for dry wash with boiling point between 100-140 °C					
Styrene					
Fruit juice					
Carbon Tetrachloride					
Carbon Tetrafluoride					
Tincture of Iodine (commercial)					
Toluene					
Trichloroethylene					
Triethanolamine					
Urea, 20% aqueous solution					
Urine					
Water vapour					
Xylene					
Sugar, saturated solution					

Cembre SpA

Via Serenissima, 9 - 25135 Brescia (Italy)

Tel.: +39 030 36921 - Fax: +39 030 3365766

Web: www.cembre.com - Email: info@cembre.com

Prepared by: Marketing dept.

Date: 19/07/2012