



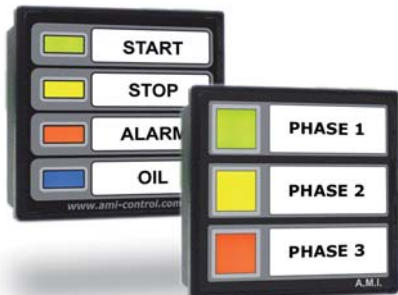
www.ami-control.com



Warranty 2 years Warranty



DIN 48 x 48 format



PAN45

PAN35

# PAN35, PAN45 LEDS INDICATOR DISPLAY PANEL

LEDs indicator display panel  
with selection of 7 colours per LED  
with remote relay option possible

Possible supply  
from 8V to 500V  
ac/dc



Strengthened protection

LED Indicator Display

### USE :

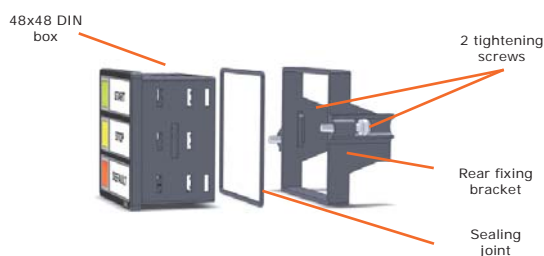
The new PAN35 series is very economical and is designed for cabinets with many repetitive outputs such as :

- Extractable cell distribution cabinets,**
- Pump multipleoutputs, Circuit breakers...**

The PAN35/PAN45 series can be used in the most difficult situations.

### Advantages :

- Very wide area of each voltage supply range allowing to regroup many models and to reduce the stock via the standardization. The supply voltage tolerances allow the use of the same model for several various supply voltages. (example : One single model from 10Vac/dc to 300Vac/dc or 250Vrms ac).
- Strengthened over-voltage protection.
- Selectable choice of one colour out of 7 for each LEDs.
- Increased luminosity with reduction in consumption (and decrease of internal heating).
- Exceptional long working life (LEDs).
- Sealing front face : IP65.
- «LEDs Test» terminal.
- Unpluggable terminal board to screw in.
- Label performed by printer (free software).



### PRESENTATION :

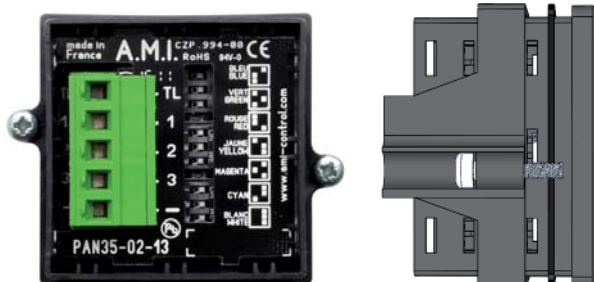
- DIN type 48x48mm box with front face waterproof (IP65) (sealing joint on front face).
- Assembly by rear bracket with mounting possible at 90°.
- Unpluggable terminal board to screw-in (3 or 4 inputs + 1 common + «LEDs Test»).
- Very high luminosity.
- Very low consumption (10mA per Leds).
- Constant luminosity irrespective of supply voltage.
- Each LED protected against over-voltage.

### Standard Versions :

- PAN35 (3 LEDs) :  
It is made up of 3 10x10mm LEDs and a large common label with label holder.
- PAN45 (4 LEDs) :  
It is made up of 4 5x10mm LEDs and a large common label with label holder

### Remote relay :

- One or two selectable relays are possible on some models. Selectable, they allow to inform remotely by «contact» (O/C) on the inputs state present.

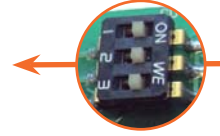


## LEDS COLOUR SETTING :

A display choice of 7 colors per LEDs is possible. This choice is selectable using switches on the panel front face. You have a choice of the following colours :

**Red, Green, Yellow, Blue, White, Cyan, Magenta.**

The working lifetime of this type of component is practically unlimited. To improve reliability, the LED is piloted at 10mA assuring substantial and constant luminosity irrespective of supply voltage. This control ensures effective protection in case of over-voltage. Replace LEDs is no longer necessary.



	OFF	ON
Bleu Blue	1 2 3	
Vert Green	1 2 3	
Rouge Red	1 2 3	
Jaune Yellow	1 2 3	
Magenta	1 2 3	
Cyan	1 2 3	
Blanc White	1 2 3	
Eteint Off	1 2 3	

For safety reasons (high voltage) have the switches located in the front.

**(PAN35-02-113, PAN35-05-13, PAN35-55-13, PAN45-02-113, PAN45-04-13 and PAN45-55-13 versions)**

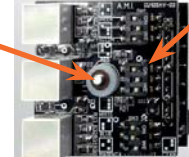
To achieve this, it is necessary to extract the circuit board unit. Take out screw A and extract the unit by rear.



**PAN45-55-13**  
rear view with screw A

Example

A



**PAN35-55-13**  
front view cover removed

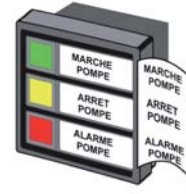
## PRODUCING LABELS :

Labels are ordinary paper sheets that can be slid into a transparent pocket included in the thickness of the front face. A blank label is supplied with each unit. Labels can be handmade, or draw the screen of the PC and produced on a colour printer (laser or ink-jet).

The PC software allows to create labels including images, allows to save and duplicate the achievements.

This PC software is FREE. It is possible to load it on our website : [www.ami-control.com](http://www.ami-control.com)

For high humidity countries, the printing on plastic sheets is recommended.



**PAN35**



**PAN45**

## NEW SPRING CLIP, MORE ERGONOMIC :

This new bracket allows an easier fitting by a simple push.

The screw heads bear on the stops, preventing from bending.

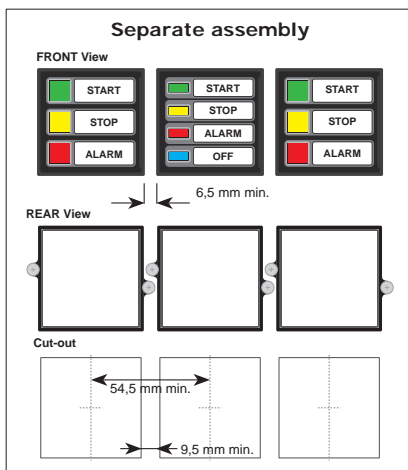
To fit the bracket, just put it on the panel and push the tabs.



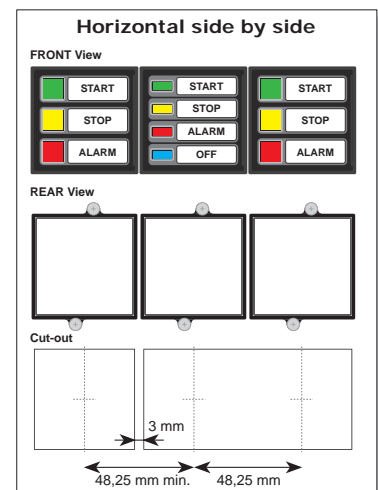
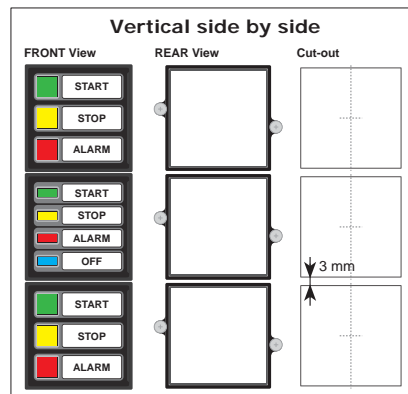
To remove the bracket, just pull outward the 2 tabs, then pull to the rear of panel.



## ASSEMBLY :



Possibility to Rotate the bracket At 90°



It is recommended to keep a space of 3 mm gap between boxes. This cut-out interval is not essential, but it ensures the water tightness of the front face

## OPTION 1 OR 2 REMOTE RELAY AND SWITCHES :

Many types of switchgear have multiple departures (extractable drawer, circuit breakers, motor departures...)

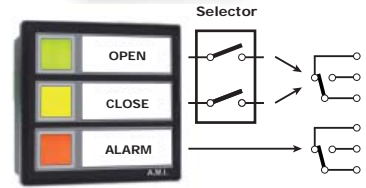
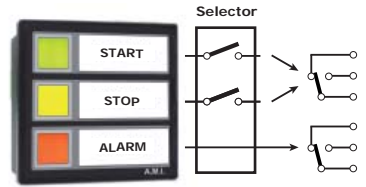
All these departures may request a local signaling of the 3 positions such as :  
«OPEN / CLOSED / ALARM»

But it may become necessary to send information about the real position of the departure to the control room.

This requires one relay, which is costly in material, in space and wiring.

The new versions can include 1 or 2 relays with a dry contact 1 O/C (galvanic isolation) avoiding to wire an external relay. A selector allows to choose the 3 informations to send. (Open and/or Close and/or Alarm)  
Space saving, Wiring saving, Price saving.

The relay contacts are inverters ( 1 O/C), 5A/230Vac.

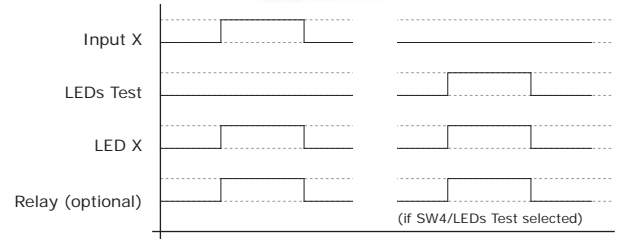


## OPERATION :

- Closing the contact connected to the input lights up the corresponding LED.
- Opening the contact connected to the input turns off the corresponding LED.
- A «LEDs Test» terminal connected to an external push button allows the lighting up of all the PAN35/PAN45 LEDs.

## Version remote relay option 113 or 123 :

	1 relay (113)	2 relays (123)
Led 1 = ON	+ switch 1 = ON => Relay = ON	+ switch 1 = ON => Relay 1 = ON
Led 2 = ON	+ switch 2 = ON => Relay = ON	+ switch 2 = ON => Relay 1 = ON
Led 3 = ON	+ switch 3 = ON => Relay = ON	=> Relay 2 = ON
Test Led	+ switch TL = ON => Relay = ON	+ switch TL = ON => Relay 1 & 2 = ON

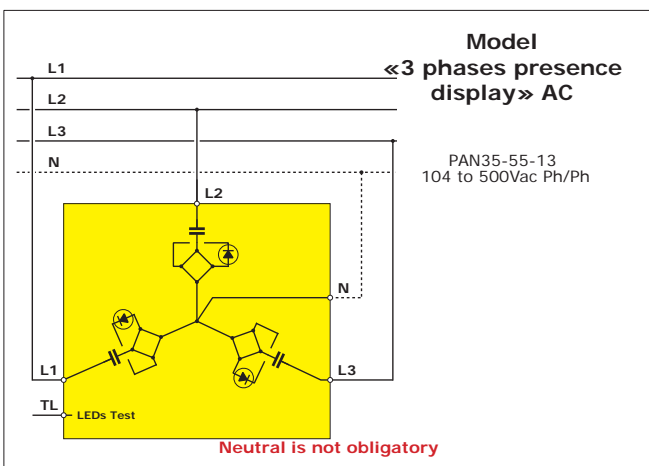
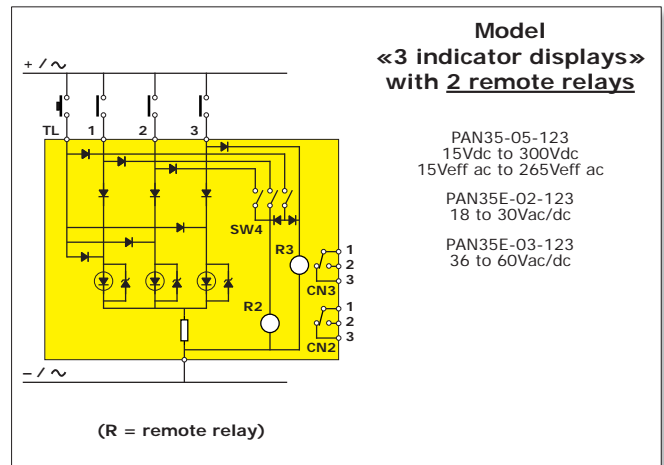
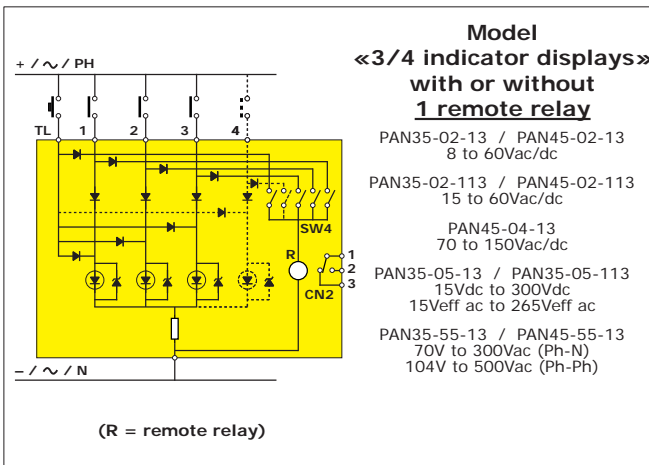


The remote relay allow to send a presence information about the state of one or several Leds.

A switch SW4 allow to select inputs to send.

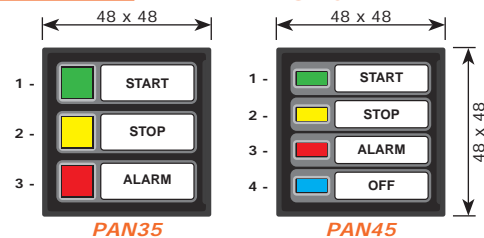
The 4th position of the switch (TL) allows to test or don't test the relay.

## POSSIBLE CONNECTIONS :

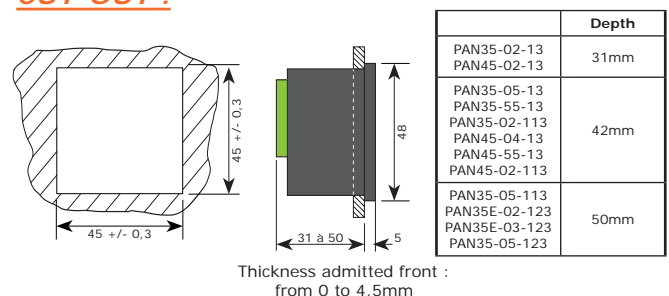


Using the Neutral ensures better luminosity when the voltage used is low.

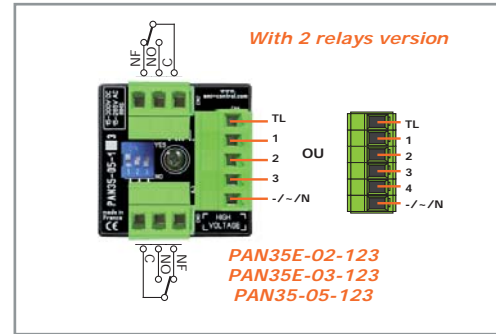
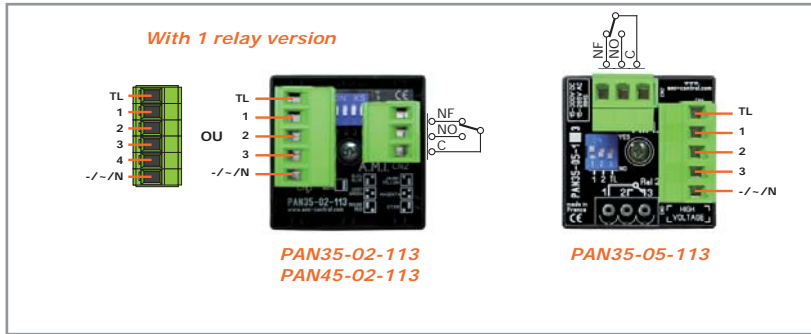
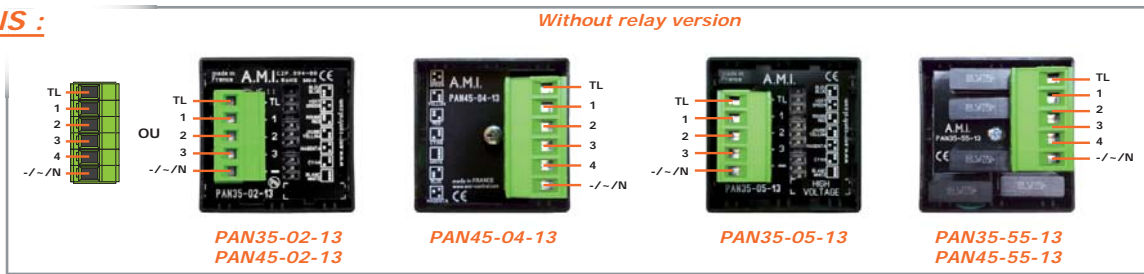
## FRONT FACE : Numbering system



## CUT-OUT :



## CONNECTIONS :

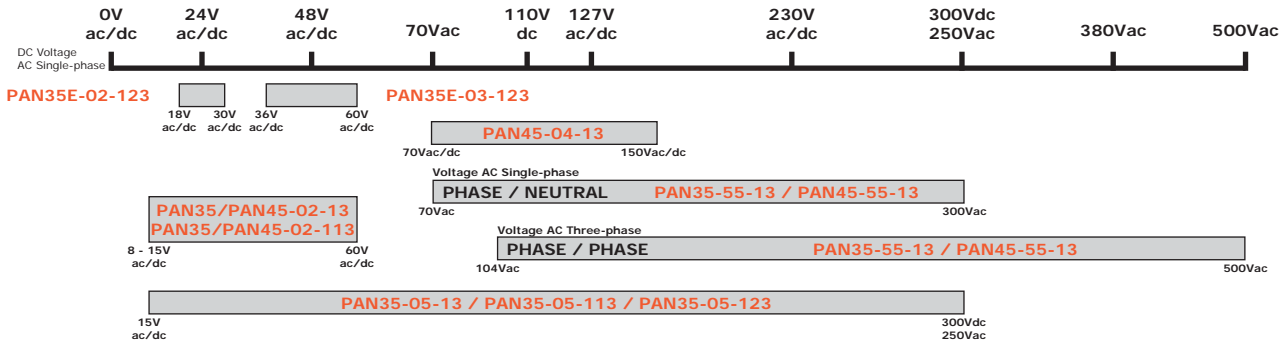


## CHARACTERISTICS :

Box	Polycarbonat Front face, case of polyamide PA66 30gf.
Colour	Black
Tightness front face	IP65
Flame resistance	UL94 class V2

Surface insulation	10 <sup>15</sup> Ohms/cm
Working / storage temperature	-20°C / +60°C / -20°C / +70°C
Working / storage Humidity	90% without condensation / 70%
Weight	45g to 90g depending on version

## THE DIFFERENT MODELS :



In some countries, it is usual to meet Automatism voltage such as 110Vdc, 127Vdc or 200Vdc. The 05 version (**from 15Vac/dc to 265Vac/300Vdc**) is recommended for special contracts, such as those for Eastern Europe for example.

Based on a concept of energy processing associated with high shelf-life Led, the heating is close to zero.

DC	AC	PAN35			PAN45	
		Without relay	1 relay	2 relays	Without relay	1 relay
8V - 60V	8V - 60V	PAN35-02-13			PAN45-02-13	
15V - 60V	15V - 60V		PAN35-02-113			PAN45-02-113
18V - 30V	18V - 30V			PAN35E-02-123*		
36V - 60V	36V - 60V			PAN35E-03-123*		
70V - 150V	70V - 150V				PAN45-04-13*	
15V - 300V	15V - 265V	PAN35-05-13	PAN35-05-113	PAN35-05-123		
	70V - 300V Ph-N 104V - 500V Ph-Ph	PAN35-55-13			PAN45-55-13	

: 50Hz to 60Hz only (can not be used with a frequency variator ex : variable speed drive)

### \*Economic version :

- Nominal power supply with tolerance +/- 30%.
- Leds Protection by zener diode.

### Standard version :

- Nominal power supply with extended voltage range.
- Leds Protection by constant current.

### all versions :

- Terminal block for external «LED Test».
- Selector of 7 colors per LED.
- Selector Relay Test.

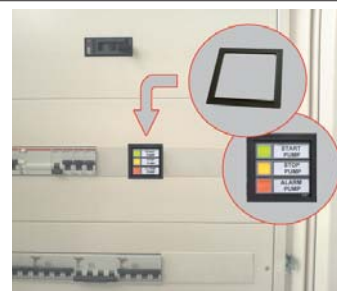
## COMPLEMENTARY PRODUCTS :

### Mounting in association with modular systems :

A adaptor plate allows to mount the PAN35/PAN45 on cabinet doors such as doors for modular switches or circuit-breakers. it is mounted in front of the rack, behind the PAN35 panel.

Dimensions : 56x56mm.  
Deliverable per bags of 10 units.

Reference : **MO817**



Please refer to **ACCESSORIES** chapter from our catalogue.

3, Rue de la Garenne - Z.I. de Vernon  
27950 SAINT MARCEL - FRANCE  
tél. : +33 (0)2 32 51 47 16  
Fax : +33 (0)2 32 21 13 73  
http://www.ami-control.com  
✉ : contact@ami-control.com

